

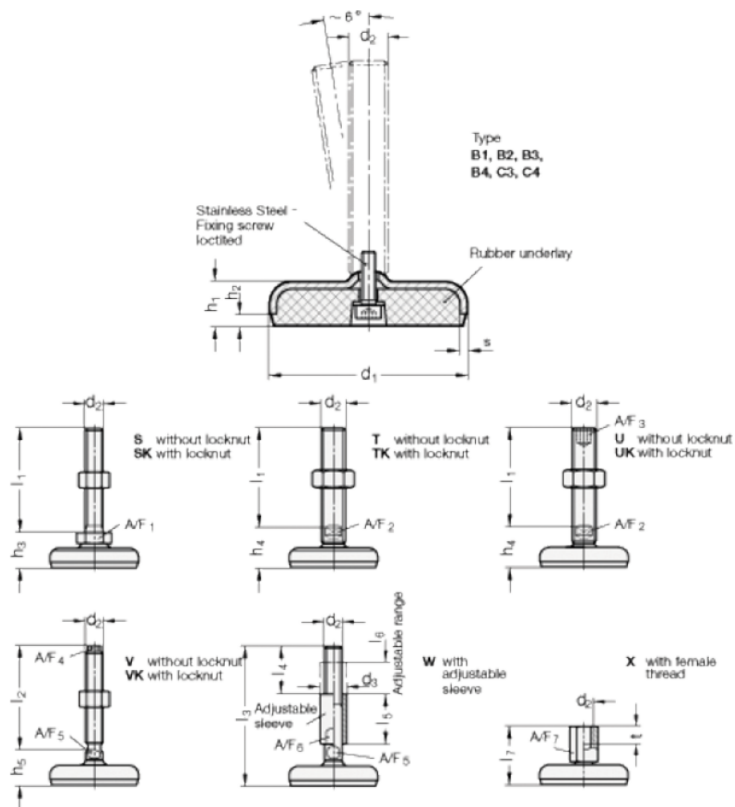
Article number: 203150M1649B1X

Description: E+G levelling foot

GN 31-50-M16-49-B1-X

Note: X With female thread, External hexagon

Measures



A/F7	= 22
d1	= 50
d2	= 16
h1	= 16
h2	= 3.5
l7 +4.0/0	= 49
s	= 3
t	= 16